

## FRIGA-BOHN

42, Rue Roger SALENGRO BP 205  
69 741 GENAS - FRANCE  
Tel. : +33 4 72 47 14 44 - Fax : +33 (0) 472 471 439  
Email : customer.serv@heatcrafteurope.com

# FRIGA-BOHN



Item : **Item 16**  
Typ : **Cubic**

Date 2011-09-05  
Version : 1.16

## Model : SKB 12 R



**Total capacity : 15,7 kW**

**Delta T1 : 7,7**

### Operating conditions

Refrigerant :	R404A
Room temperature :	1 °C
Unit number :	1

### Aeraulic characteristics (per unit)

Nb. and diameter of fans :	2 x 450 mm
Air flow-rate :	7600 m3/h
Pressure :	0 Pa
Air throw :	18 m

### Thermal capacity (per unit)

Capacity per unit :	15,7 kW
Delta T1 :	7,7

### Electrical characteristics (per unit)

Rotation speed :	1370 tr/min
Maximum input power :	2 x 435 W
Maximum operating current :	2 x 1,05 A
Motor coupling :	Star
Voltage/ Nb Phases / Frequency :	400V/3/50Hz

### Coil characteristics (per unit)

Surface :	57 m2
Volume :	9,69 dm3
Fin spacing :	4,23 mm

### Dimensional characteristics (per unit)

Empty net weight :	100 kg
Packaging (L/D/H) :	1.861 / 0.74 / 0.76 m
Packed unit weight :	136 kg
Standard packaging :	Wooden crate

(1) The average acoustic pressure level in dB(A) measured at 4 m, at fan height, in direct line of sight on a reflective surface, are given as an example. Only the acoustic pressure spectrum and Lw value, are contractually binding and may be used to evaluate pressure characteristics at the property boundaries.

All prices are retail prices 2011. Our proposals, quotes and order acceptances are subject to our general terms of sale which may be consulted on the CD-ROM.

Friga-Bohn is a brand of



European Operations

---

**FRIGA-BOHN**

42, Rue Roger SALENGRO BP 205

69 741 GENAS - FRANCE

Tel. : +33 4 72 47 14 44 - Fax : +33 (0) 472 471 439

Email : customer.serv@heatcrafteurope.com

---

Item : **Item 16**Typ : **Cubic**

Date 2011-09-05

Version : 1.16

## Options SKB 12 R

- E1K : Light electrical defrosting kit
- BXT : XT Polual Blygold coating of the coil
- BAE : Coating of the fins
- 2V5 : 2 speed 400 V 50 Hz fan assembly
- MM5 : 230 V/1/50 Hz fan assembly
- MP5 : 400 V 50 Hz aerofoil fan
- CMU : Factory wired motors
- RVU : Peripheral heaters
- HG1 : Hot gas defrost (coil : hot gas, drain pan : electrical heaters)
- VGT : Flange for textile duct with guard
- RVK : Peripheral heaters kit
- ELK : Full electrical defrosting kit
- THD : Fan delay control thermostat
- THS : Thermostat de sécurité
- 2TH : Thermostats TH + THS
- RFA : Streamer

# FRIGA-BOHN

42, Rue Roger SALENGRO BP 205

69 741 GENAS - FRANCE

Tel. : +33 4 72 47 14 44 - Fax : +33 (0) 472 471 439

Email : customer.serv@heatcrafteurope.com



Item : **Item 16**

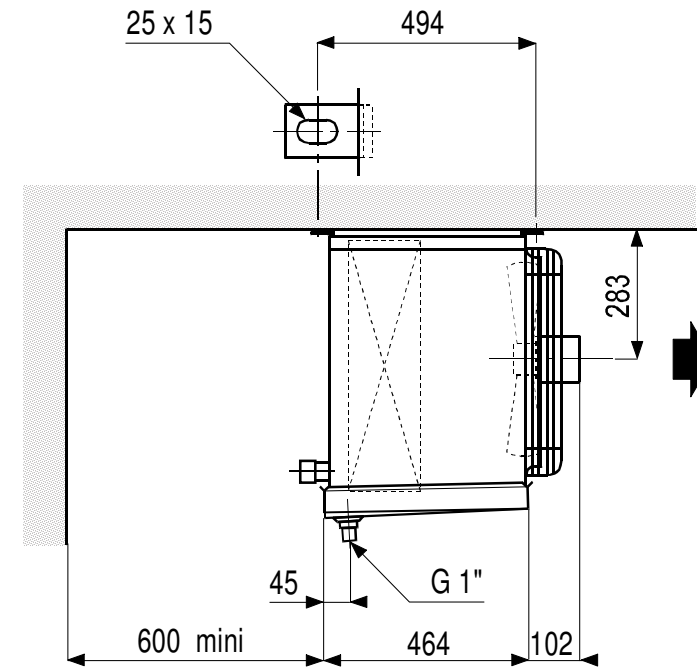
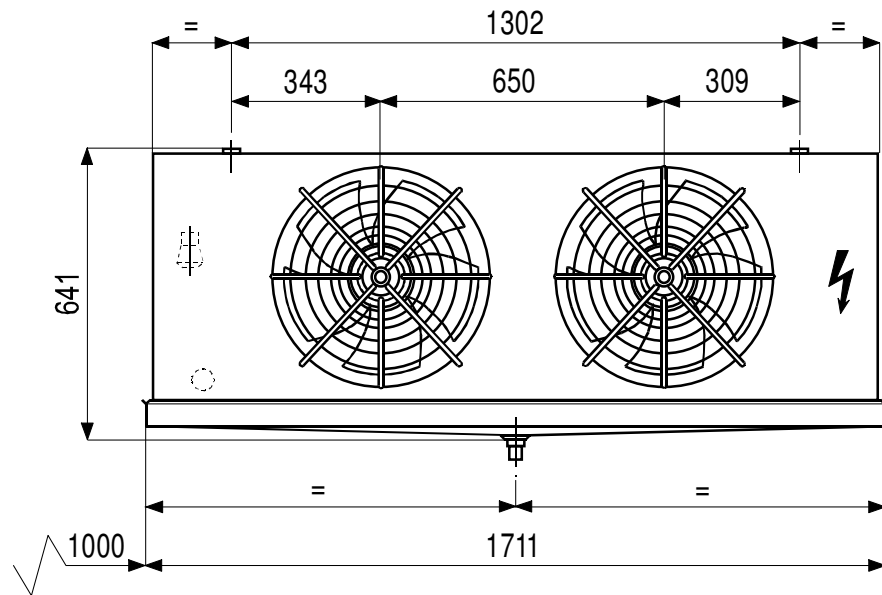
Typ : **Cubic**

Date 2011-09-05

Version : 1.16

## Model : SKB 12 R

(Drawings are only indicative)



In = D 1 1/8" ; Out = 1 3/8"

All prices are retail prices 2011. Our proposals, quotes and order acceptances are subject to our general terms of sale which may be consulted on the CD-ROM.

LGL FRANCE - RCS Lyon B 309 528 115 - S.A.S. with capital of 37,029,000 €.

