

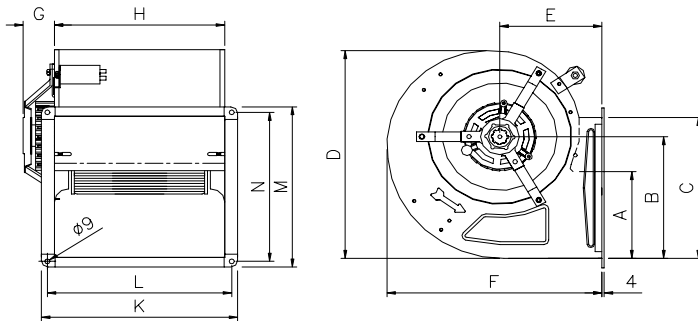
FAN TECHNICAL DATA

ID CODE	710084
FAN NAME	DD 9-9-14 1/2 BB
SUPPLY	230 V - 50 Hz
MOTOR	1/2 4PO BB (110619.00)
CAPACITOR	10 μ F
THERMAL PROTECTION	Incorporated
IP CLASS	44
THERMAL CLASS	B
CONFORMITY	CE
SPEED CONTROL	ESB5

NOMINAL INSTALLATION DATA

	Pressure (Pa)	Amps (A)	Abs.Power (W)	Max air T°(TM) (°C)
Minimum	100	4,4	940	50
Maximum	435	2,2	410	65

DIMENSIONS

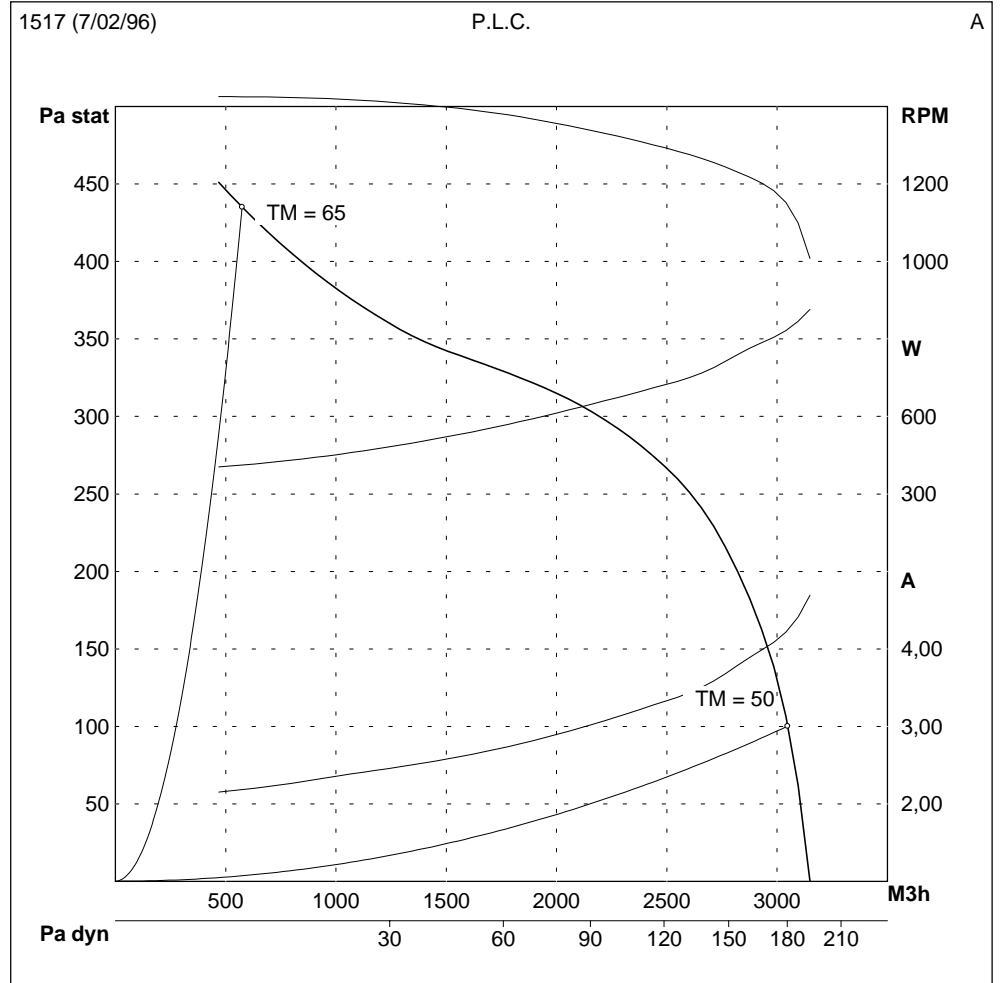


A	B	C	D	E	F	G	H	K	L	M	N
163	229	265	391	180	379	55	300	346	325	301	280

We are constantly working to make our products better and more reliable. Therefore we cannot guarantee data update.
Therefore, although we put a lot of care in the making of our documentation, we cannot be held responsible for any error and/or omissions that could have slipped in.

PERFORMANCE CURVES

measured in our laboratory according to AMCA/ASHRAE 210.85 fig.12



WIRING DIAGRAM

