

P. LEMMENS
AIR MOVEMENT
Company

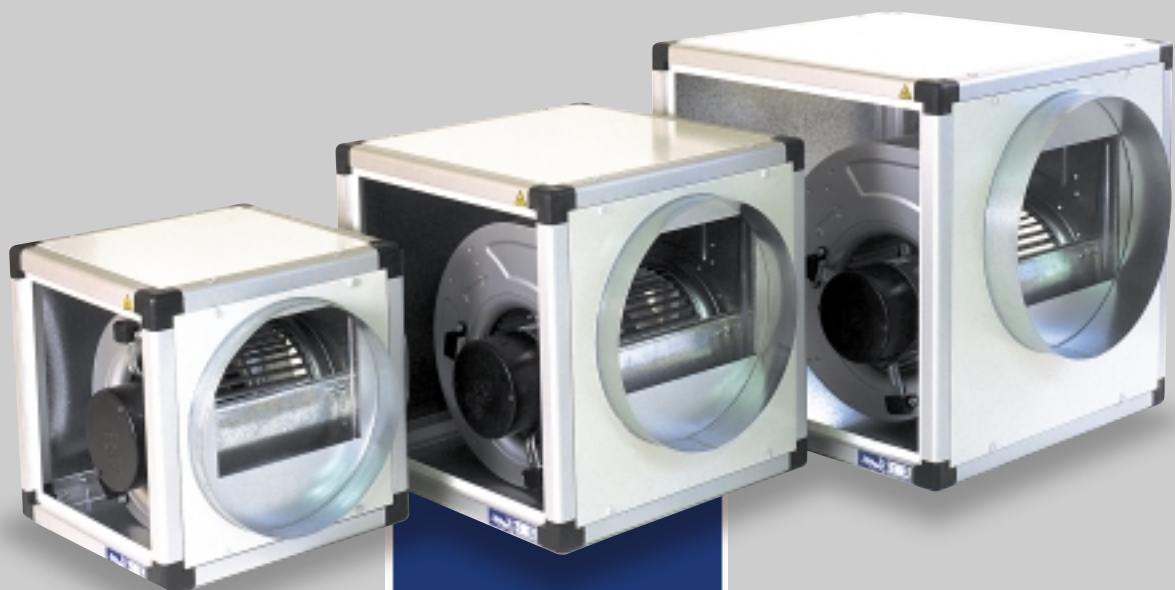
NATURE CREATES AIR,
WE MAKE THE BEST USE OF IT.

CUBUS

Also
available
with



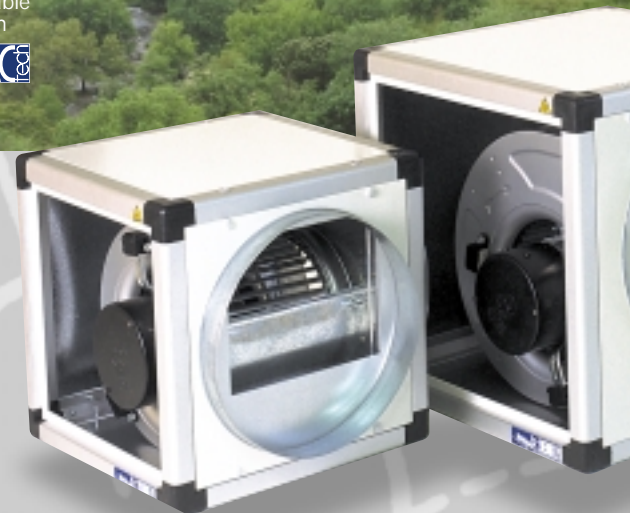
Single flow **VENTILATION UNITS**



DOUBLE SKIN CUBUS

Also available with


Cubus are "design" standard ventilation units designed for connection to circular ductings. They seduce by their

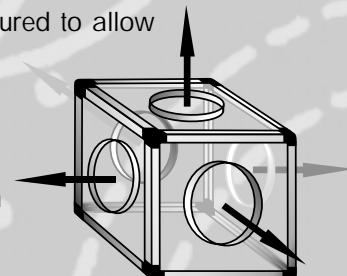


CUBUS CONCEPT

The CUBUS series declines itself in 5 sizes (350x350, 400x400, 500x500, 600x600 and 710x710), and is equipped with PLC direct drive centrifugal fans. In option, the series can be equipped with high tech TAC technology fans. It is fitted for airflows ranging from 200 to 5.000 m³/h, and for static pressures up to 800 pa.

Modularity

All the panels are removable and interchangeable, and can therefore always be configured to allow the ideal configuration for the application. The units are delivered with the inlet panel located at 90° from the outlet panel.



APPLICATIONS

The most common applications are: controlled mechanical ventilation, ventilation in general, exhaust hoods, kitchen ventilation, sanitary ventilation, fresh air supply,...



CONSTRUCTION

The structure is made out of omega shaped anodized aluminum profiles connected by reinforced polypropylene corner pieces. The panels are double skin steel plates insulated with fireproofed treated EPS. The outside panels are pre-painted gray RAL 9002 color covered with a plastic protection (to be removed after installation). The side panels are removable to enable easy access to the components for maintenance. CUBUS are delivered in standard with one connection at the inlet (MONO). They can be delivered with two connections (DUO), or four connections (QUATTRO). They come with M8 suspension nuts injected in the aluminum profile. See dimension table.

FANS

The Cubus series exists with 2 types of fans:
1. Standard AC fans:

All the CUBUS are equipped in standard with PLC direct drive AC centrifugal fans - for more information, consult the DD/DS/DP fans brochure. They are designed to function with ES series speed controls.



P. LEMMENS
AIR MOVEMENT

INTERCHANGEABLE PANELS




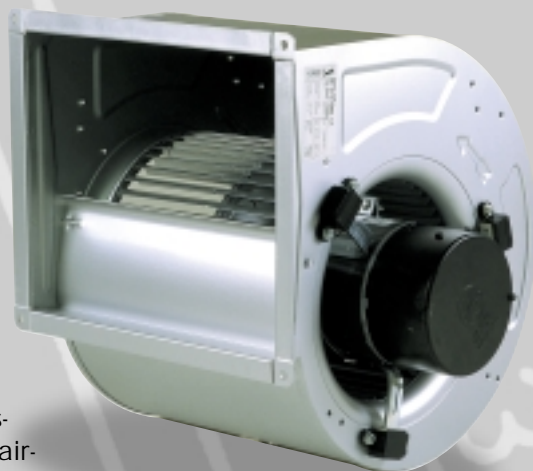
sober æsthetic aspect, their neat finish
and their technical characteristics:
low noise level and broad product range.

2. technology "high tech" fans:

These fans are DC driven and present many inherent advantages: substantial energy savings, constant airflow (pressure independent), linking airflow to a 0/10V sensor's value (TACn), programmable performances (TACn), remote control of units through RS485 network and PC freeware (TACn), modem maintenance.

 = master the airflow

If you opt for  there is no need to worry about the actual system's counterpressure, the fan will do it for you. Just select the airflow(s) via dip switches or via PC, and the work is done. No fine tuning is required. Many control features are possible with this technology (e.g: constant pressure without sensors-CFP mode).
For more information, consult your local dealer or our website.



PTIONS

CUBUS can be delivered with a roof (VEX), jealousy louver (VK), and speed controls (ES).

LECTION PROGRAM, OF COURSE,

We have written specific software to allow the simulation of each CUBUS in the application's actual conditions and to make quotations. This software runs under Windows®, and calculates working point's characteristics, noise levels, and prints a fully detailed technical data sheet of the selection with drawing and dimensions and options available. Do not hesitate to ask your local distributor to establish a selection sheet of a unit as applied in the actual working conditions. This software is free of charge and can be downloaded from our website www.lemmens.com.



Company

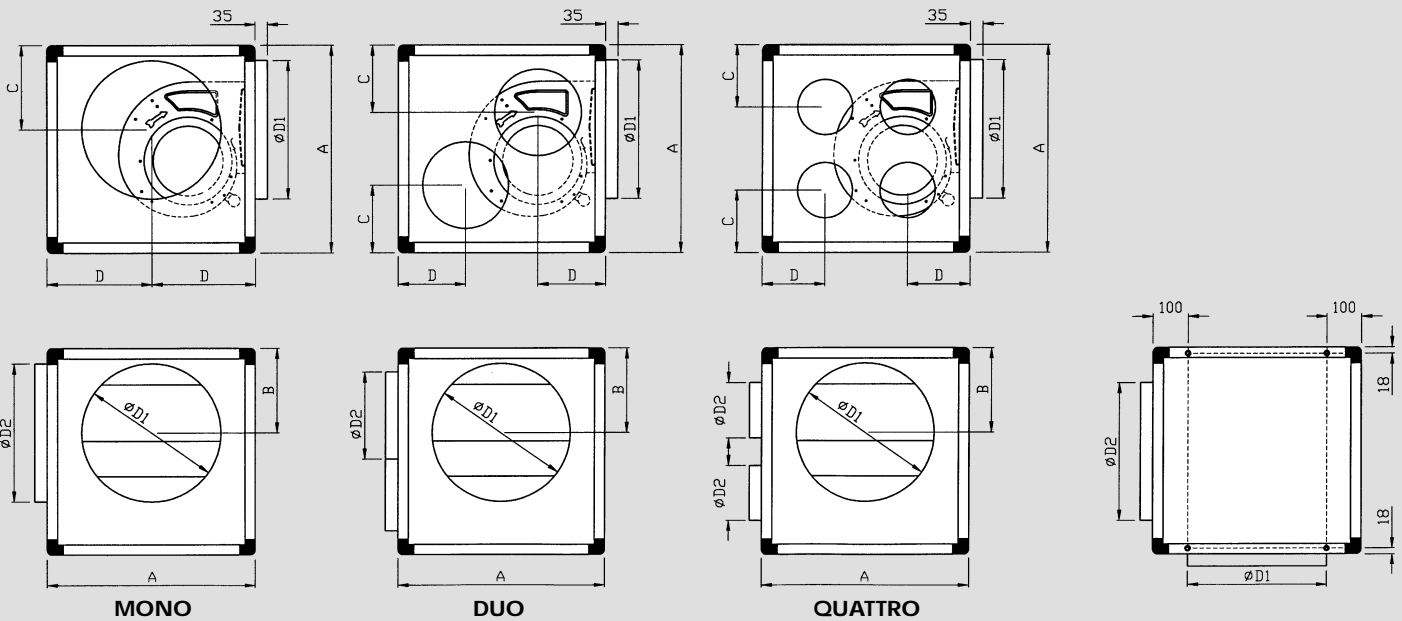
CUBUS

Also available with



TECHNICAL DATA

CID	NAME	A	AIRFLOWS	D1	B	D2	C	D	MONO			DUO			QUATTRO		
									D2	C	D	D2	C	D	D2	C	D
CUBUS 4 poles motors																	
800044	CUBUS 4-DD133-200	350x350	150-600	200	175	200	175	175	100	75	75	-	-	-			
800000	CUBUS 7-DD6614	400x400	200-800	250	169	250	169	200	160	130	130	100	120	120			
800002	CUBUS 7-DD7714	400x400	400-1200	250	169	250	169	200	160	130	130	100	120	120			
800003	CUBUS 7-DD9714th	400x400	600-1500	315	200	315	200	200	160	130	130	100	120	120			
800007	CUBUS 9-DD9914	500x500	800-2600	355	221	355	221	250	200	160	160	160	140	140			
800010	CUBUS 10-DD101014	600x600	1500-4000	400	244	400	244	300	250	185	185	200	160	160			
800013	CUBUS 11-DD111114	712x712	2000-4500	450	269	450	269	356	315	217	217	250	185	185			
CUBUS 6 poles motors																	
800005	CUBUS 9-DD999	500x500	800-2500	355	221	355	221	250	200	160	160	160	140	140			
800008	CUBUS 10-DD10109	600x600	1000-2800	400	244	400	244	300	250	185	185	200	160	160			
800009	CUBUS 10-DD1199	600x600	1000-3200	400	244	400	244	300	250	185	185	200	160	160			
800012	CUBUS 11-DD12129	712x712	2000-5800	450	269	450	269	356	315	217	217	250	185	185			
CUBUS TAC2																	
800032	CUBUS7 TAC2	400x400	400-2000	315	200	315	200	200	160	130	130	100	120	120			
800028	CUBUS9 TAC2	500x500	600-2900	355	221	355	221	250	200	160	160	160	140	140			
800006	CUBUS10 TAC2	600x600	700-3800	400	244	400	244	300	250	185	185	200	160	160			
800041	CUBUS11 TAC2	712x712	750-4400	450	269	450	269	356	315	217	217	250	185	185			



We are constantly working to make our products better and more reliable. Therefore we cannot guarantee the information contained in our leaflets reflects the last version of the described



102, chaussée de Tirlemont
B 5030 GEMBLOUX
TEL.: +32-(0)81.62.52.52
FAX: +32-(0)81.62.52.53
e-mail: info@lemmens.com
www.lemmens.com

product. Also, although we put a lot of care in the making of our documentation, we cannot be held responsible for any error and/or omissions that could have slipped in.

