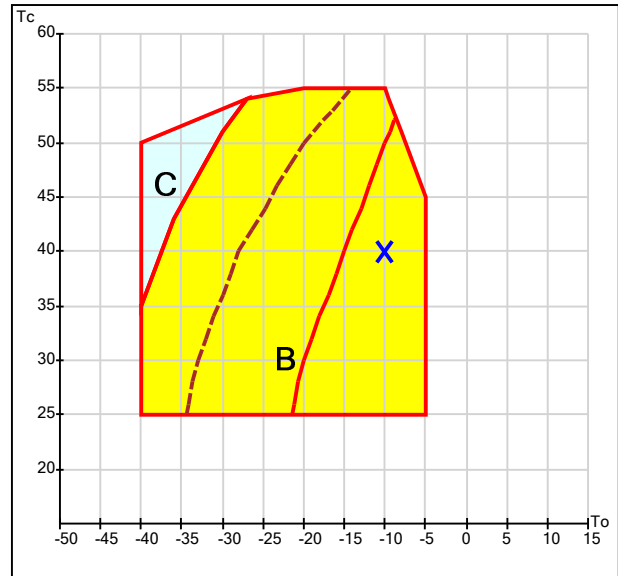


Compressor **H750CS**
**Performance calculation**

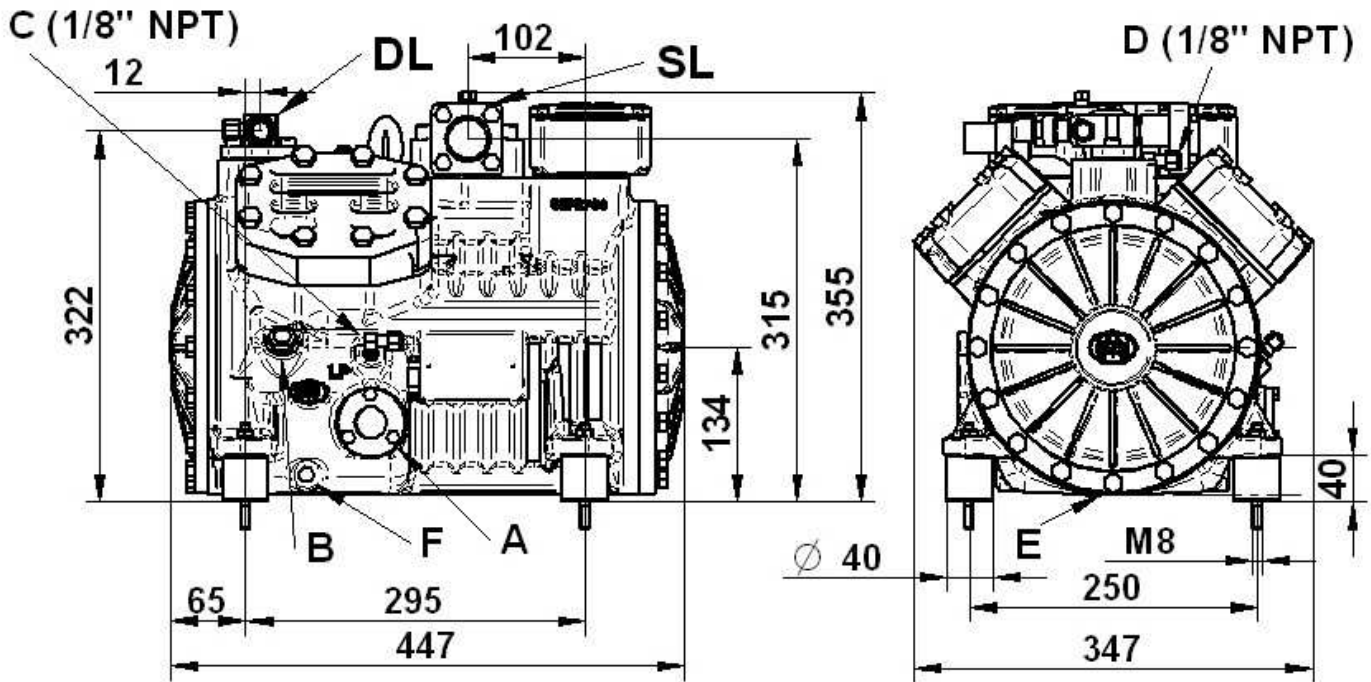
Refrigerant	R404A
Evaporating temperature	-10 °C
Condensing temperature	40 °C
Suction temperature	20 °C
Evaporator outlet temperature	20 °C
Liquid temperature	40 °C
Voltage / phases / frequency	380-420 V / 3 / 50 Hz
Standard:	220-240V(Delta)-380-420V(Y)/3/50Hz

Cooling capacity	20833 W
Total heat of Rejection	29,62 kW
Absorbed power	8,79 kW
COP	2,37
Mass flow	584,6 kg/hr
Absorbed current	15,4 Amp

No. Cylinders	4
Bore	54 mm
Stroke	48 mm
Displacement 50Hz	38,3 m <sup>3</sup> /hr
Suction valve	35 s. mm
Discharge valve	22 s. mm
Oil charge	2 liter
Net weight	99 kg
Max operating current (400V) 50Hz	16,7 Amp
Locked rotor current (400V) 50Hz	86 Amp



<span style="background-color: yellow; border: 1px solid black; display: inline-block; width: 10px; height: 10px;"></span> B = Standard application	<span style="color: red;">—</span> Min To 50%
<span style="background-color: lightblue; border: 1px solid black; display: inline-block; width: 10px; height: 10px;"></span> C = Head fan cooling	<span style="color: red;">- - -</span> Min To 50% Head fan cooling



- |    |                        |                         |                         |                       |
|----|------------------------|-------------------------|-------------------------|-----------------------|
| A  | Spia Olio              | Oil sight               | Voyant d'huile          | Oelschauglas          |
| B  | Tappo carica Olio      | Oil charge plug         | Bouchon charge huile    | Oelfuellschraube      |
| C  | Pres a Bassa Pressione | Low pressure tap        | Prise basse pression    | Anschluss Niederdruck |
| D  | Pres a Alta Pressione  | High pressure tap       | Prise haute pression    | Anschluss Hochdruck   |
| E  | Tappo scarica olio     | Oil drain plug          | Bouchon vidange d'huile | Oelablass Schraube    |
| F  | Resistenza Carter      | Crankcase heater        | Resistance carter       | Oelumpfeizung         |
| G  | Tappo ritorno olio     | Oil return              | Return d'huile          | Olruckfuhrung         |
| DL | Rubinetto Compressione | Discharge service valve | Vanne de refoulement    | Druckabsperrentil     |
| SL | Rubinetto Aspirazione  | Suction Service Valve   | Vanne Aspiration        | Saugabsperrentil      |

H341 10-9-10

## Compressor

## H34 H750CS

### Options

Standard	TE=Thermistor Protection
Standard	REL=Motor protection electronic module
Standard	IP65=Electrical box IP65
Optional	CH=Crankcase Heater
Optional	CR=Capacity control system
Optional	BF=Body cooling fan
Optional	WH=Water cooled head
Optional	DTC=Liquid injection
Optional	ALL=Oil level warning device
Optional	CR1=Capacity control 50-100%

### Voltage / phases / frequency

Standard	220-240V(Delta)-380-420V(Y)/3/50Hz
Optional	250-280V(Delta)-440-480V(Y)/3/60Hz
Optional	500-550V/3/50Hz (Y)
Optional	200V/3/50-60Hz (Delta)
Optional	380-420V/3/50Hz (PWS)
Optional	220-240V(Delta)-380-420V(Y)/3/60Hz
Optional	440-480V/3/60Hz (PWS)
Optional	208-230V/3/60Hz (PWS)
Optional	220-240V/3/50Hz (PWS)
Optional	380-420V/3/60Hz (PWS)
Optional	500-550V/3/50Hz (PWS)

For operation with HFC refrigerants the compressor must be ordered with POE OIL. For operation with HCFC and HC refrigerant the compressor shall be ordered with mineral oil.

For low temperature application external cooling must be provided.

The DTC can decrease the duty by up to 10% depending upon pressure ratio, suction temperature and ambient temperature. Please contact our Technical Department for more informations.

Motors suitable for operation at different voltage from those listed above may be furnished on request