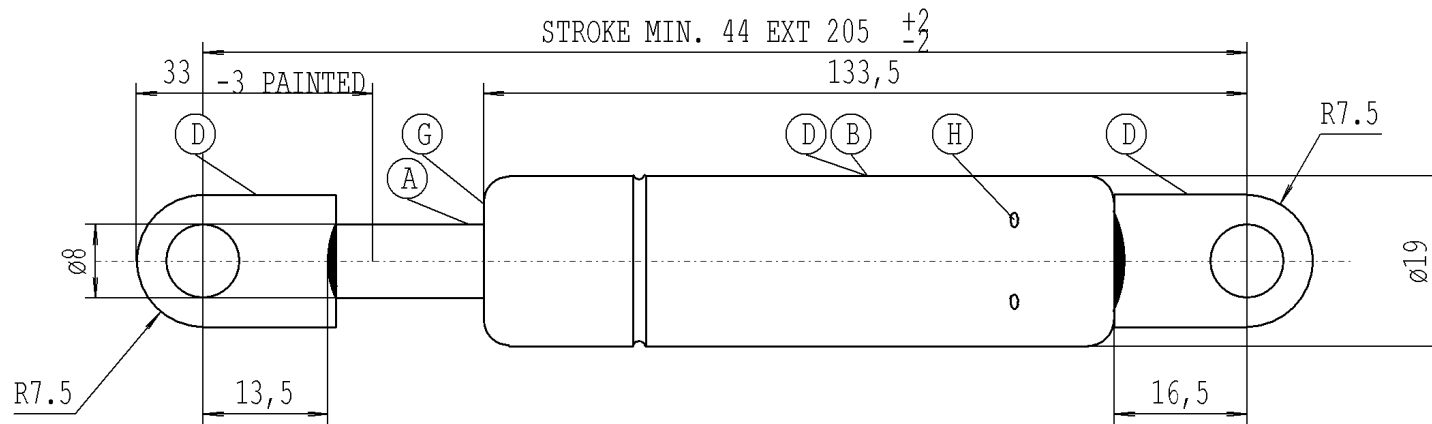


We reserve all rights to this drawing, to any patents or patent registrations related hereto, and to the duplication, retransmission by third parties and misc. use. Any use of this drawing is not permitted without the written consent of STABILUS.

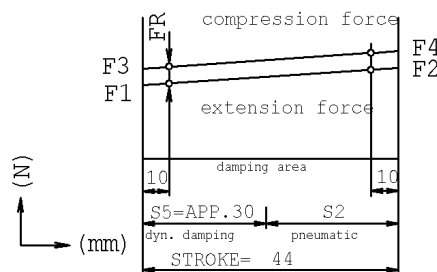
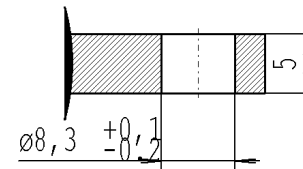
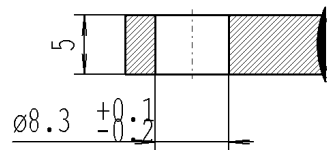
Intended for internal use and customer



### STABILUS LIFT-O-MAT

NICHT OEFFNEN HOHER DRUCK  
DO NOT OPEN HIGH PRESSURE  
Stabilus Standard

- The gas spring must not be mechanically modified or damaged.
- The warning label must not be removed or obscured.
- Dynamic damping choke cross section continuous becoming less in direction of extension.
- Line up connections permissible deviation  $\pm 5$  DEG
- compression and extension forces measured acc. to STAB-Spec. 10009033
- Extension speed measured according to STAB-Spec. 10006487
- Spring test with piston rod downwards
- Protect piston rod from dirt, paint and damage
- Disposal acc. to STAB-Spec.10009375
- Drawing not true-to-scale
- Installation: Preferably with piston rod down
- Observe installation instructions according to STAB-Spec. 10005593
- Structural member test gas spring acc. STAB-Spec. 10010035
- Permissible operating temperature range  $-30^{\circ}\text{C}$  to  $+80^{\circ}\text{C}$



- A | Nislide black
- B | print white
- D | black painted
- G | border flange oiled
- H | dinks permissible

$$X = F2 / F1 = 1,10$$

$$FR_{max} = F3 - F1$$

Forces (statically measured)		
F1 (N)	F4 max (N)	FR max (N)
extension force	compression force	friction
900±45	1120	60

CHANGE	NEW	SERIE
	OLD	VERSUCH
	CHG.NO.	609516
	NAME	16.12.13 SCHNASS
	NO.	1

DIMENSIONS WITH- OUT TOLERANCE	LIFT-O-MAT DD
	+/-1
	03 01 0816 15 044

Unregistered Copy  
Print-out is not subject to the modification service

## STABILUS

Modifications in favour of technical process reserved

DRAWING	CHECKED
---------	---------

DATE	20.11.2013	NAME	M.Runcan
Document No.		10207928	
207229		E	